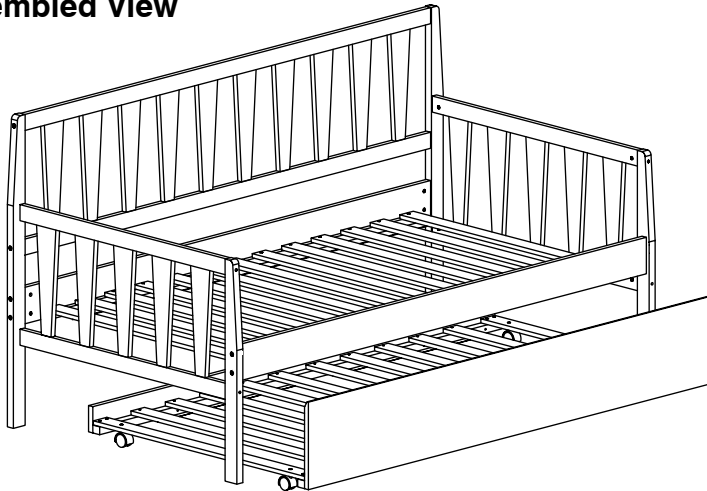


0046-1 Daybed

Assembly Instructions

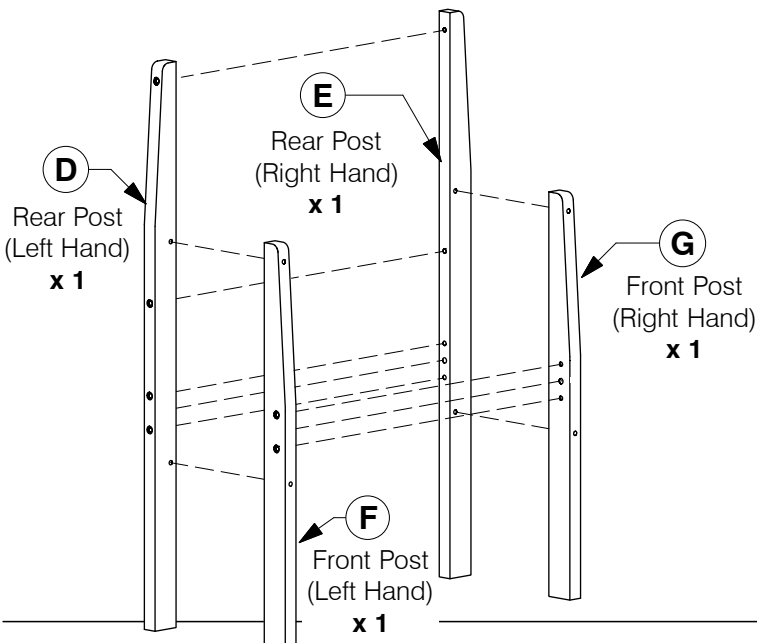
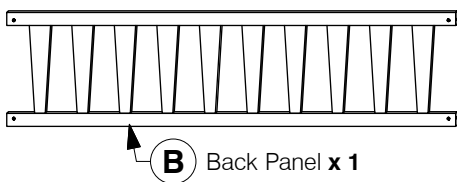
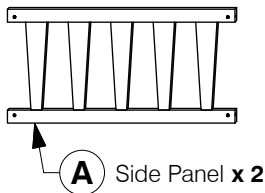
W11-0120

1 Assembled View

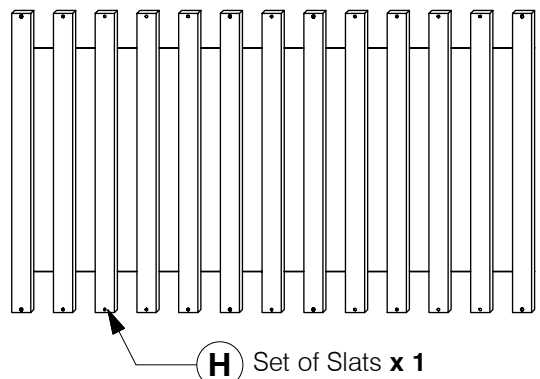


Note: Do not assemble using power tools. This can cause the bolts to be overtightened

2 Parts in this Box



Slats are packed in separately in Box B



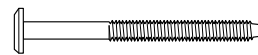
3 Hardware in this Box



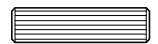
1 M6 x 100mm JCB x 12



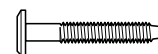
5 Barrel Nut x 20



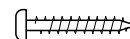
2 M6 x 70mm JCB x 8



6 Wood Dowel (10 x 40mm) x 4



3 M6 x 40mm JCB x 8



4 Wood Screw (M4 x 32mm) x 18



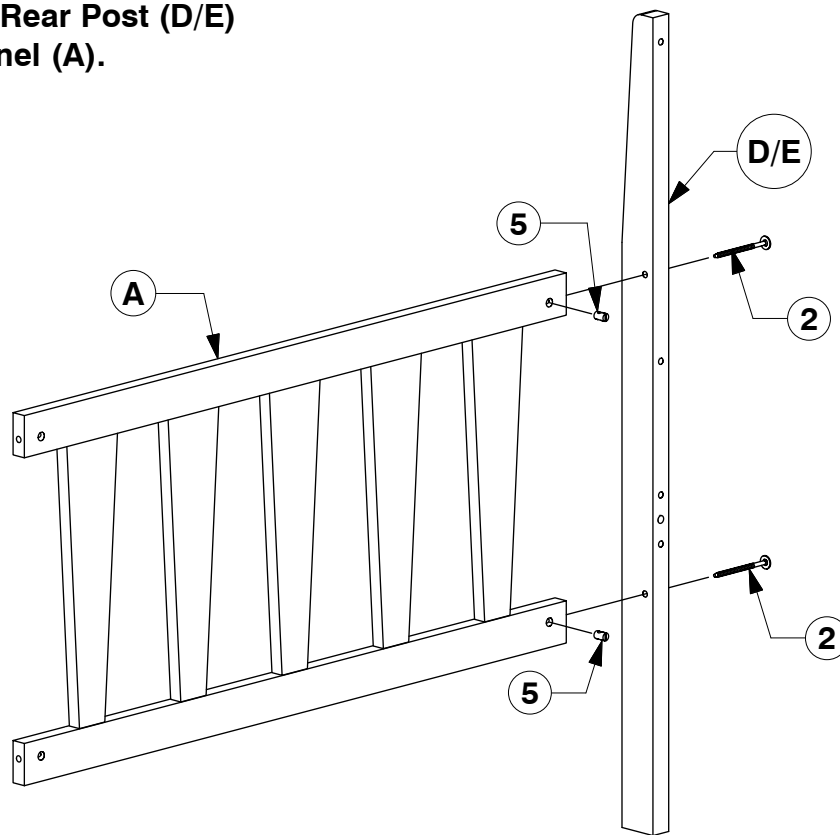
7 Allen Key x 1

0046-1 Daybed

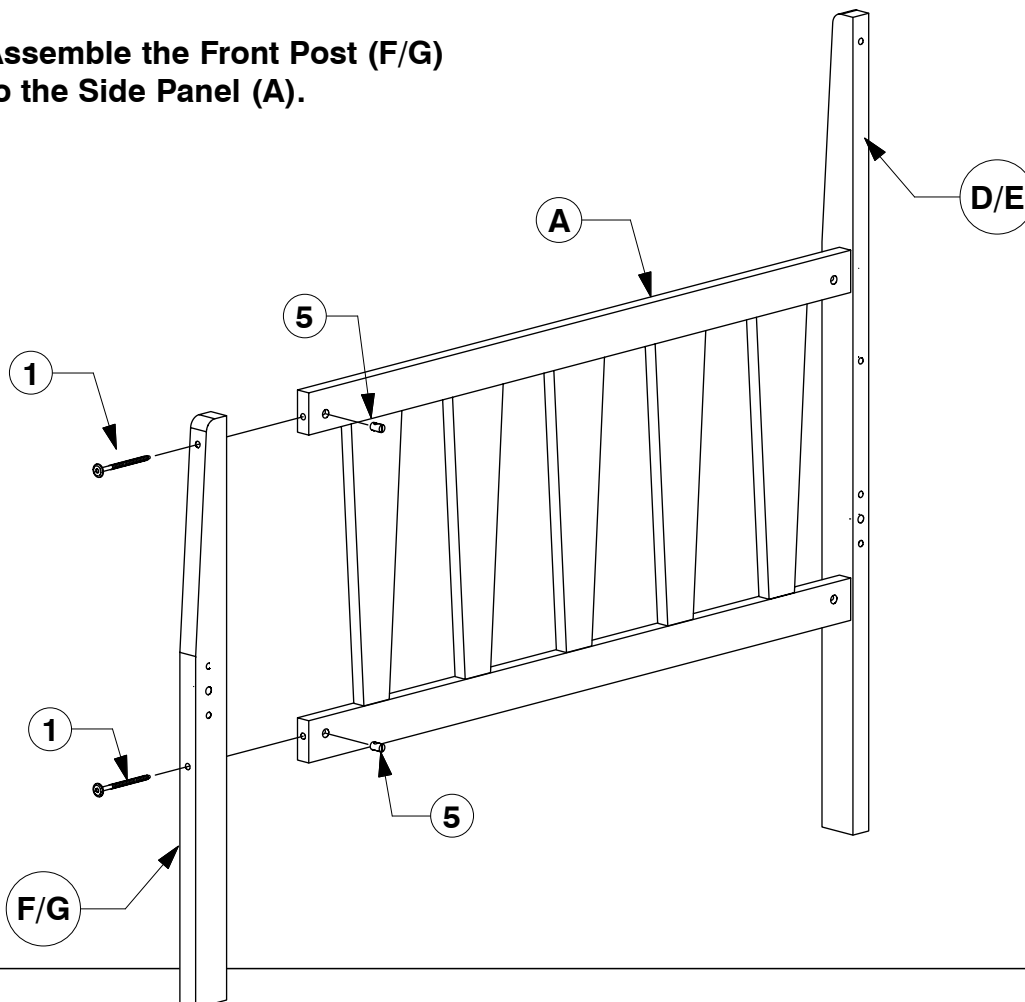
Assembly Instructions

WII-0120

- 4** Assemble the Rear Post (D/E) to the Side Panel (A).



- 5** Assemble the Front Post (F/G) to the Side Panel (A).

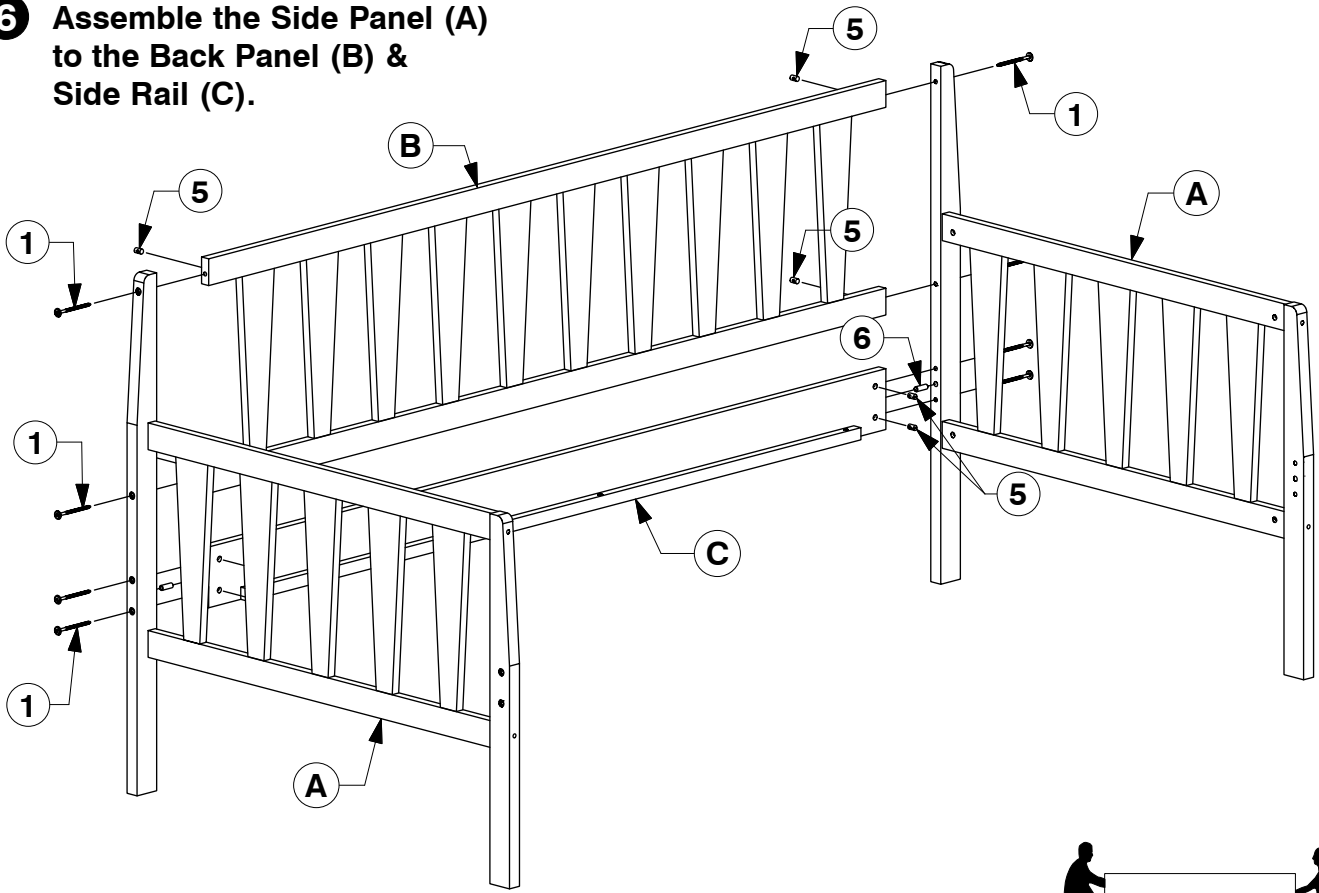


0046-1 Daybed

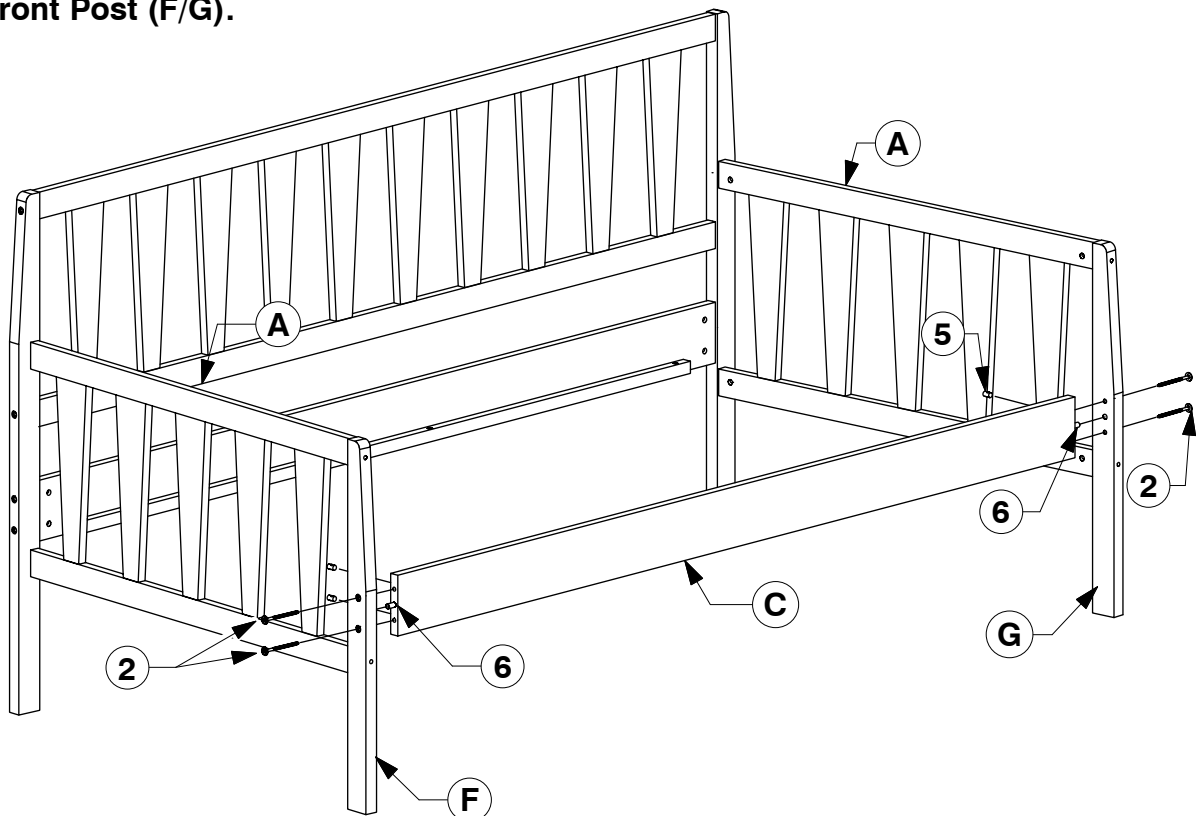
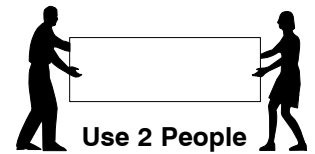
Assembly Instructions

W11-0120

- 6** Assemble the Side Panel (A) to the Back Panel (B) & Side Rail (C).



- 7** Assemble the Side Rail (C) to the Front Post (F/G).

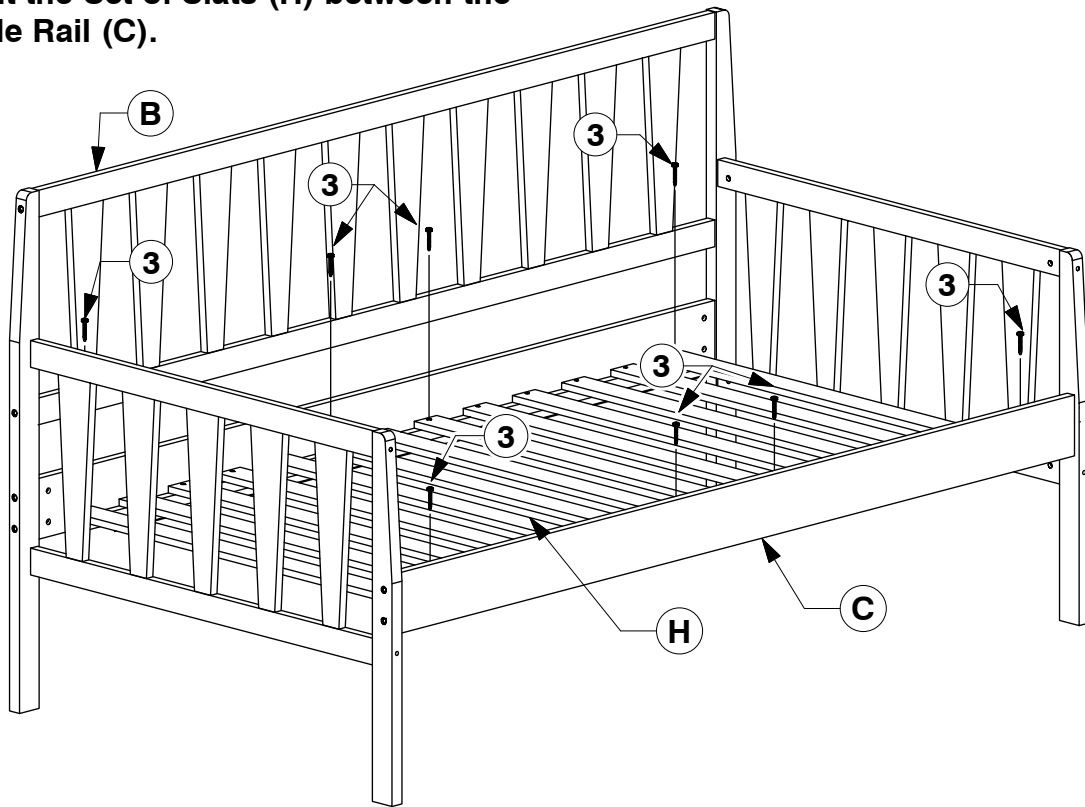


0046-1 Daybed

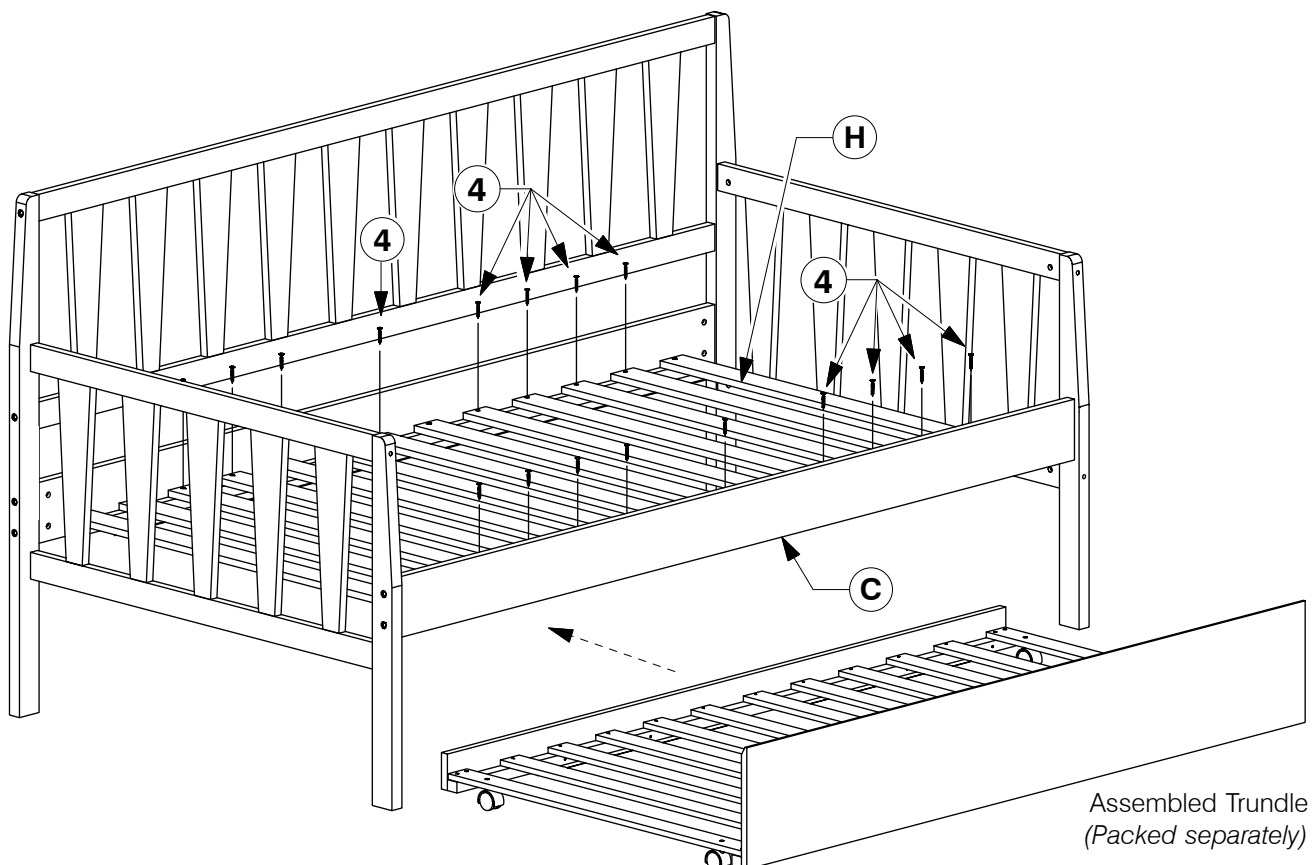
Assembly Instructions

WII-0120

- 8** Bolt the Set of Slats (H) between the Side Rail (C).



- 9** Screw the Set of Slats (H) between the Side Rail (C). Finally, fit the assembled Trundle.



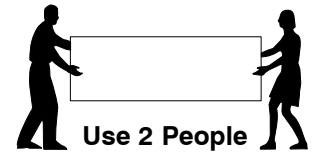
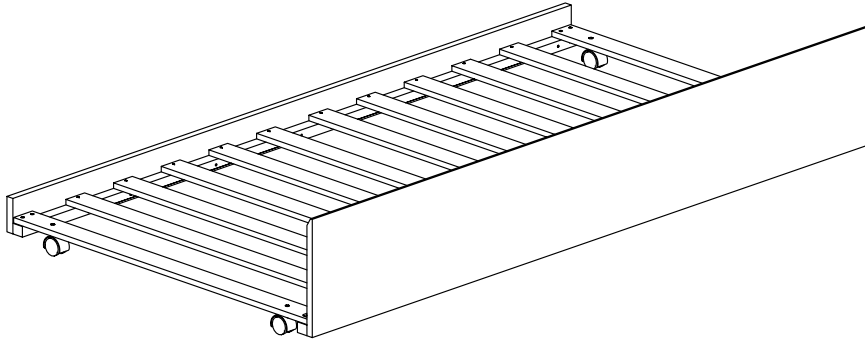
Assembled Trundle
(Packed separately)

0046-1 Daybed Trundle

Assembly Instructions

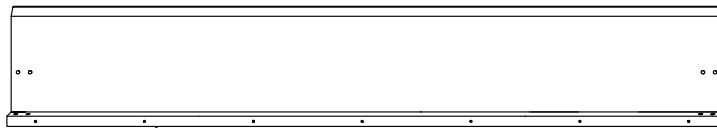
WII-0120

1 Assembled View

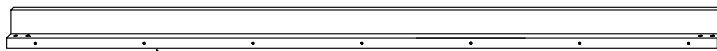


Note: Do not assemble using power tools. This can cause the bolts to be overtightened

2 Parts List



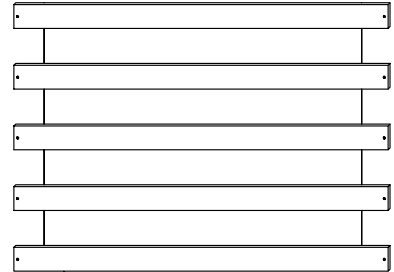
A Trundle Front Panel x 1



B Trundle Rear Panel x 1



C Trundle Support Rail x 2



D Set of Slats x 2

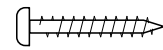
3 Hardware List



1 M6 x 40mm JCB x 8



2 M6 x 15mm JCB x 4



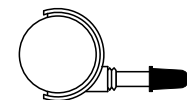
3 Wood Screw (M4 x 32mm) x 20



4 Allen Key x 1



5 Metal Bracket x 2



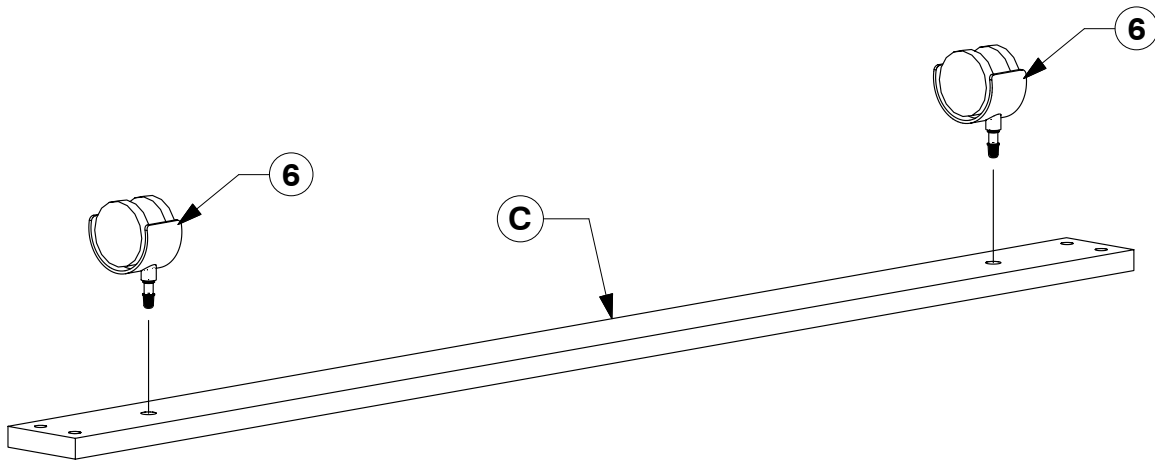
6 Wheels x 4

0046-1 Daybed Trundle

Assembly Instructions

WII-0120

- 4** Fit the Wheels (6) to the Trundle Support Rail (C).



- 5** Assemble the Set of Slats (D) & Trundle Support Rail (C) to the Trundle Front Panel (A) & Trundle Rear Panel (B).

